



M-7084

4-/8-channel Counter/Frequency/Encoder Input Module

Features

- 8 Up Counter/Frequency Channels or 4 Encoder Input Channels
- Programmable Digital Filter
- 32-bit Counter
- Individual Channel Configuration
- Virtual Battery Backup to Preserve Counter Values
- +/-4 kV ESD Protection
- Preset Values for Counter Input
- RoHS Compliant
- Wide Operating Temperature Range: -25 ~ +75°C



Introduction

The M-7084 is a 32-bit high-speed Counter/Frequency/Encoder input module that offers a variety of mode options, including "Up Counter", "Frequency Input", "Up/Down Counter", "Direct/Pulse Counter" and "A/B Phase Counter" modes. The mode combinations can be individually set for all 8 channels, where some channels can be set to "Up Counter" mode and other channels can be simultaneously set to "Frequency", "Up/ Down Counter" or "Encoder input" mode. The built-in digital filter can filter out noise where the high/ low pulse width is smaller than the minimum high/low width of the digital filter. The M-7084W provides a virtual battery backup function in counter mode.

Applications

Counter Measurement, Frequency Measurement and Encoder Motion Control.

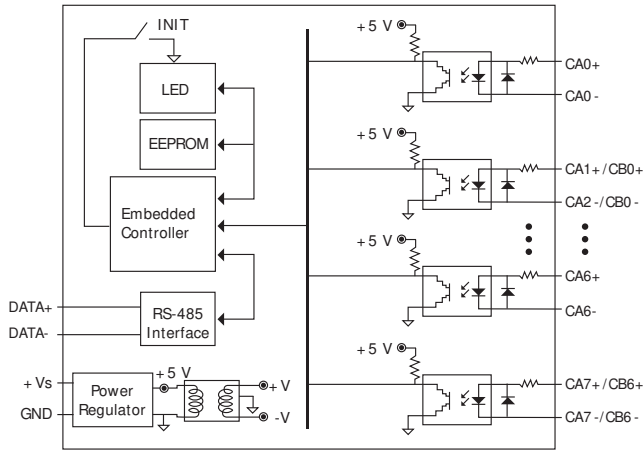
System Specifications

Model	M-7084
Communication	
Interface	RS-485
Format	N, 8, 1
Baud Rate	1200 ~ 115200 bps
Protocol	Modbus RTU, DCON
Dual Watchdog	Yes, Module (1.6 Seconds), Communication (Programmable)
LED Indicator	
Power	1 LED, Red
Isolation	
Intra-module Isolation, Field-to-Logic	3000 VDC
EMS Protection	
ESD (IEC 61000-4-2)	+/-4 kV Contact for Each Terminal
EFT (IEC 61000-4-4)	+/-4 kV for Power
Surge (IEC 61000-4-5)	+/-3 kV for Power Line
Power	
Reverse Polarity Protection	Yes
Input Range	10 ~ 30 VDC
Consumption	1.32 W Max.
Mechanical	
Dimensions (W x L x H)	72 mm x 123 mm x 35 mm
Installation	DIN-Rail or Wall Mounting
Environment	
Operating Temperature	-25 ~ +75°C
Storage Temperature	-30 ~ +80°C
Humidity	10 ~ 90% RH, Non-condensing

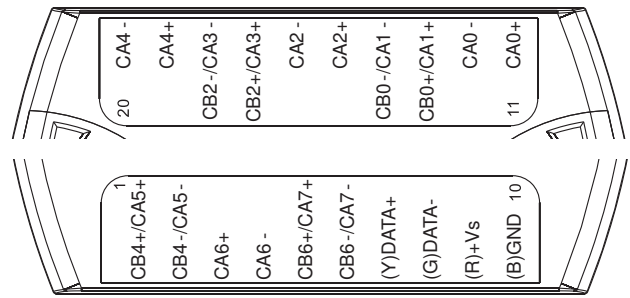
I / O Specifications

Model	M-7084
Counter/ Frequency/ Encoder Input	
Channels	4-channel Up/Down Counter (CW/CCW) 4-channel Dir/Pulse Counter (Bi-direction) 4-channel A/B Phase (Quadrant Counting) 8-channel Up Counter 8-channel Frequency
Contact	Wet
Sink/Source (NPN/PNP)	Sink
Types	Counter, Frequency or Encoder
Counter/Encoder-bits	32-bit (4,294,967,295)
On Voltage Level	+3.5 VDC ~ +30 VDC
Off Voltage Level	+1 VDC Max.
Programmable Digital Filter	1 ~ 32767 μ s
Individual Channel Configuration	Yes
Counter Mode	Up or Up/Down
Encoder Mode	CW/CCW, Dir/Pulse, AB Phase
Frequency Mode	Yes
Max. Speed	3.5 VDC ~ 10 VDC: 200 kHz 10 VDC ~ 30 VDC: 150 kHz
Frequency Accuracy	\pm 0.4% of Input Frequency
Virtual Battery Backup to preserve Counter Values	Yes

Internal I/O Structure



Pin Assignments



Wire Connections

Counter Type	
Up	Up+ CAx+ Up- CAx-
Up/Down	Up+ CAx+ Up- CAx- Down+ CBx+ Down- CBx-
Dir/Pulse	Pulse+ CAx+ Pulse- CAx- Dir+ CBx+ Dir- CBx-
A/B Phase	A0+ CAx+ A0- CAx- B0+ CBx+ B0- CBx-
Frequency Type	
Frequency	Freq+ CAx+ Freq- CAx-

Ordering Information

M-7084 CR	4-/8-channel Counter/Frequency/Encoder Input Module (RoHS)
-----------	--

Accessories

SG-770 CR	7-channel Differential or 14-channel Single-ended Surge Protector (RoHS)
-----------	--

2
3

RS-485 Remote I/O Modules

M-7084